



- Change-over relay, 16 A 230 V AC
- Temperature range 7...30°C
- Hysteresis 1K

R3 is an electro-mechanical room thermostat intended for wall mounting. The thermostat contains a pair of gas-filled bellows with a stainless steel membrane which reacts to changes in temperature by generating a movement which is transmitted to a change-over relay. The thermostat can control a heating or cooling function.

Setpoint adjustment

R3 has a temperature range of 7...30°C. The setting range can be mechanically limited.

Mounting

R3 has mounting holes of 60 mm. It is suitable for mounting on a standard device box.

R3

Mechanical room thermostat

R3 is a wall mounted room thermostat for use in HVAC systems. The thermostat can control fans, cooling units, electric heaters, etc.

- Cooling or heating function
- Available with on/off or summer/winter switch

Function

Room temperature control with:

- Setpoint adjustment via knob
- Manual on/off switch (R33)
- Manual summer/winter switch (R34)
- LED for activated output indication (R33/R34)

Applications

R3 is well-suited for mounting in close and dry areas. It fits a large variety of applications in heating, cooling or air conditioning.

Models

Type	Temperature range	Functions
R31	7...30°C	-
R33	7...30°C	On/off switch
R34	7...30°C	Summer/winter switch

Technical data

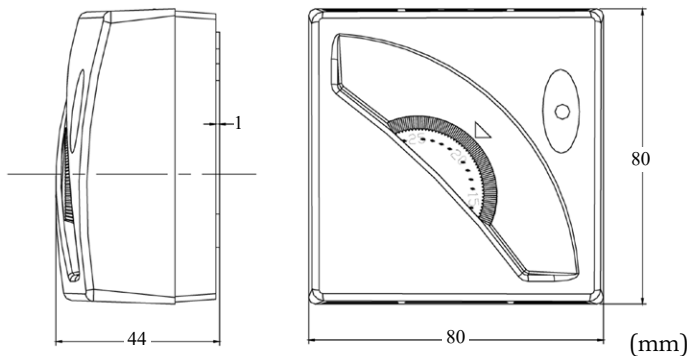
Contacts	NO/NC 250 V AC 16 (2.5) A
Ambient temperature	Max. 50°C
Ambient humidity	Max. 90 % RH
Protection class	IP20
Housing	ABS, fireproof in accordance with UL94 V-0
Colour	White
Weight	128 g



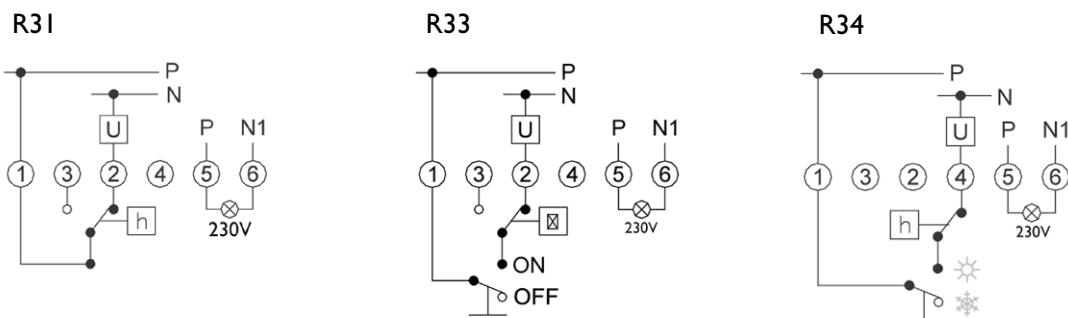
Low Voltage Directive (LVD) & EMC emissions & immunity standards: This product conforms to the requirements of the European Low Voltage Directive (LVD) 2006/95/EC and to the requirements of the EMC Directive 2004/108/EC through product standards EN 60730-1:2000 and EN 60730-2-9:2010.

RoHS: This product conforms to the Directive 2011/65/EU of the European Parliament and of the Council.

Dimensions



Wiring



Product documentation

Document	Type
R3_inst	Instruction for R3

The document can be downloaded from www.regincontrols.com.